



IBM11N8645B IBM11N8735B
 IBM11N8645C IBM11N8735C

8M x 64/72 DRAM MODULE

Features

- 168 Pin JEDEC Standard, Unbuffered 8 Byte Dual In-line Memory Module
- 8Mx64, 8Mx72 Dual Bank Extended Data Out Page Mode DIMMs
- Performance:

		-60	-70
t _{RAC}	RAS Access Time	60ns	70ns
t _{CAC}	CAS Access Time	15ns	20ns
t _{AA}	Access Time From Address	30ns	35ns
t _{RC}	Cycle Time	104ns	124ns
t _{HPC}	EDO Mode Cycle Time	25ns	30ns

- All inputs and outputs are LVTTTL (3.3V) compatible
- Single 3.3V ± 0.3V Power Supply
- Au contacts
- Optimized for byte-write non-parity, or ECC applications

- System Performance Benefits:
 - Non buffered for increased performance
 - Reduced noise (35 V_{SS}/V_{CC} pins)
 - Byte write, byte read accesses
 - Serial PDs
- Extended Data Out (EDO) Mode, Read-Modify-Write Cycles
- Refresh Modes: RAS-Only, CBR and Hidden Refresh
- 2048 refresh cycles distributed across 32ms (11/11 addressing)
- 4096 refresh cycles distributed across 64ms (12/10 addressing)
- 11/11 or 12/10 addressing (Row/Column)
- Card size: 5.25" x 1.5" x 0.354"
- DRAMS in SOJ Package

Description

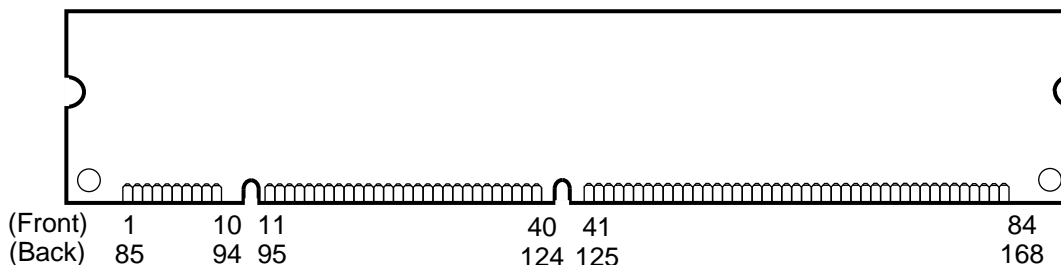
IBM11N8645B IBM11N8645C are industry standard 168-pin 8-byte Dual In-line Memory Modules (DIMMs) which are organized as 8Mx64 and 8Mx72 high speed memory arrays designed with EDO DRAMs for non-parity or ECC applications and are configured as two 4Mx64 and two 4Mx72 banks. The DIMMs use 32 (x64) or 36 (x72) 4Mx4 EDO DRAMs in SOJ packages. The use of EDO DRAMs allows for a reduction in Page Mode Cycle time from 40ns (Fast Page) to 25ns for 60ns DRAM modules.

The DIMMs use serial presence detects implemented via a serial EEPROM using the two pin I²C protocol. This communication protocol uses Clock (SCL) and Data I/O (SDA) lines to synchronously

clock data between the master (system logic) and the slave EEPROM device (DIMM). The EEPROM device address pins (SA0-2) are brought out to the DIMM tabs to allow 8 unique DIMM/EEPROM addresses. The first 128 bytes are utilized by the DIMM manufacturer and the second 128 bytes of serial PD data are available to the customer.

All IBM 168-pin DIMMs provide a high performance, flexible 8-byte interface in a 5.25" long space-saving footprint. Related products include the buffered DIMMs (x64, x72 parity and x72 ECC Optimized) for applications which can benefit from the on-card buffers.

Card Outline





IBM11N8645B IBM11N8735B
 IBM11N8645C IBM11N8735C
8M x 64/72 DRAM MODULE

Pin Description

$\overline{\text{RAS0}}, \overline{\text{RAS2}}$	Row Address Strobe	V_{CC}	Power (3.3V)
$\overline{\text{CAS0}} - \overline{\text{CAS7}}$	Column Address Strobe	V_{SS}	Ground
$\overline{\text{WE0}}, \overline{\text{WE2}}$	Read/write Input	NC	No Connect
$\overline{\text{OE0}}, \overline{\text{OE2}}$	Output Enable	DU	Don't Use
A0 - A11	Address Inputs	SCL	Serial Presence Detect Clock Input
DQx	Data Input/Output	SDA	Serial Presence Detect Data Input
CBx	Check Bit Data Input/Output	SA0-2	Serial Presence Detect Address Inputs

Pinout

Pin#	Front Side	Pin#	Back Side	Pin#	Front Side	Pin#	Back Side	Pin#	Front Side	Pin#	Back Side	Pin#	Front Side	Pin#	Back Side
1	V_{SS}	85	V_{SS}	22	CB1	106	CB5	43	V_{SS}	127	V_{SS}	64	V_{SS}	148	V_{SS}
2	DQ0	86	DQ32	23	V_{SS}	107	V_{SS}	44	$\overline{\text{OE2}}$	128	DU	65	DQ21	149	DQ53
3	DQ1	87	DQ33	24	NC	108	NC	45	$\overline{\text{RAS2}}$	129	NC	66	DQ22	150	DQ54
4	DQ2	88	DQ34	25	NC	109	NC	46	$\overline{\text{CAS2}}$	130	$\overline{\text{CAS6}}$	67	DQ23	151	DQ55
5	DQ3	89	DQ35	26	V_{CC}	110	V_{CC}	47	$\overline{\text{CAS3}}$	131	$\overline{\text{CAS7}}$	68	V_{SS}	152	V_{SS}
6	V_{CC}	90	V_{CC}	27	$\overline{\text{WE0}}$	111	DU	48	$\overline{\text{WE2}}$	132	DU	69	DQ24	153	DQ56
7	DQ4	91	DQ36	28	$\overline{\text{CAS0}}$	112	$\overline{\text{CAS4}}$	49	V_{CC}	133	V_{CC}	70	DQ25	154	DQ57
8	DQ5	92	DQ37	29	$\overline{\text{CAS1}}$	113	$\overline{\text{CAS5}}$	50	NC	134	NC	71	DQ26	155	DQ58
9	DQ6	93	DQ38	30	$\overline{\text{RAS0}}$	114	NC	51	NC	135	NC	72	DQ27	156	DQ59
10	DQ7	94	DQ39	31	$\overline{\text{OE0}}$	115	DU	52	CB2	136	CB6	73	V_{CC}	157	V_{CC}
11	DQ8	95	DQ40	32	V_{SS}	116	V_{SS}	53	CB3	137	CB7	74	DQ28	158	DQ60
12	V_{SS}	96	V_{SS}	33	A0	117	A1	54	V_{SS}	138	V_{SS}	75	DQ29	159	DQ61
13	DQ9	97	DQ41	34	A2	118	A3	55	DQ16	139	DQ48	76	DQ30	160	DQ62
14	DQ10	98	DQ42	35	A4	119	A5	56	DQ17	140	DQ49	77	DQ31	161	DQ63
15	DQ11	99	DQ43	36	A6	120	A7	57	DQ18	141	DQ50	78	V_{SS}	162	V_{SS}
16	DQ12	100	DQ44	37	A8	121	A9	58	DQ19	142	DQ51	79	NC	163	NC
17	DQ13	101	DQ45	38	A10	122	A11	59	V_{CC}	143	V_{CC}	80	NC	164	NC
18	V_{CC}	102	V_{CC}	39	NC	123	NC	60	DQ20	144	DQ52	81	NC	165	SA0
19	DQ14	103	DQ46	40	V_{CC}	124	V_{CC}	61	NC	145	NC	82	SDA	166	SA1
20	DQ15	104	DQ47	41	V_{CC}	125	DU	62	DU	146	DU	83	SCL	167	SA2
21	CB0	105	CB4	42	DU	126	DU	63	NC	147	NC	84	V_{CC}	168	V_{CC}

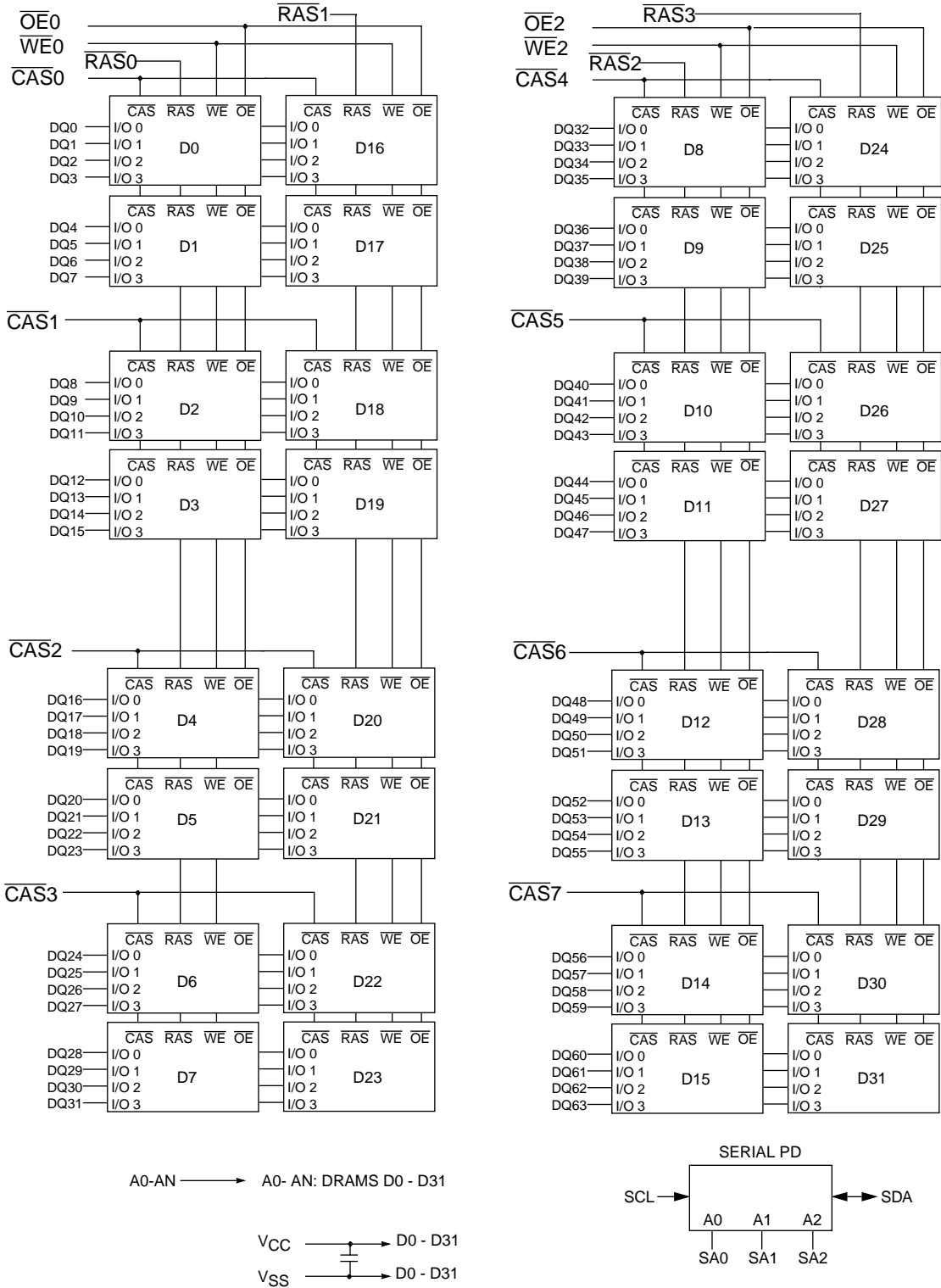
Note: All pin assignments are consistent for all 8 Byte unbuffered versions.

Ordering Information

Part Number	Organization	Speed	Addr.	Leads	Dimension	Power	Notes
IBM11N8645BB-60J	8Mx64	60ns	11/11	Au	5.25"x1.5"x 0.354"	3.3V	
IBM11N8645BB-70J		70ns					
IBM11N8645CB-60J		60ns	12/10				
IBM11N8645CB-70J		70ns					
IBM11N8735BB-60J	8Mx72	60ns	11/11				
IBM11N8735BB-70J		70ns					
IBM11N8735CB-60J		60ns	12/10				
IBM11N8735CB-70J		70ns					



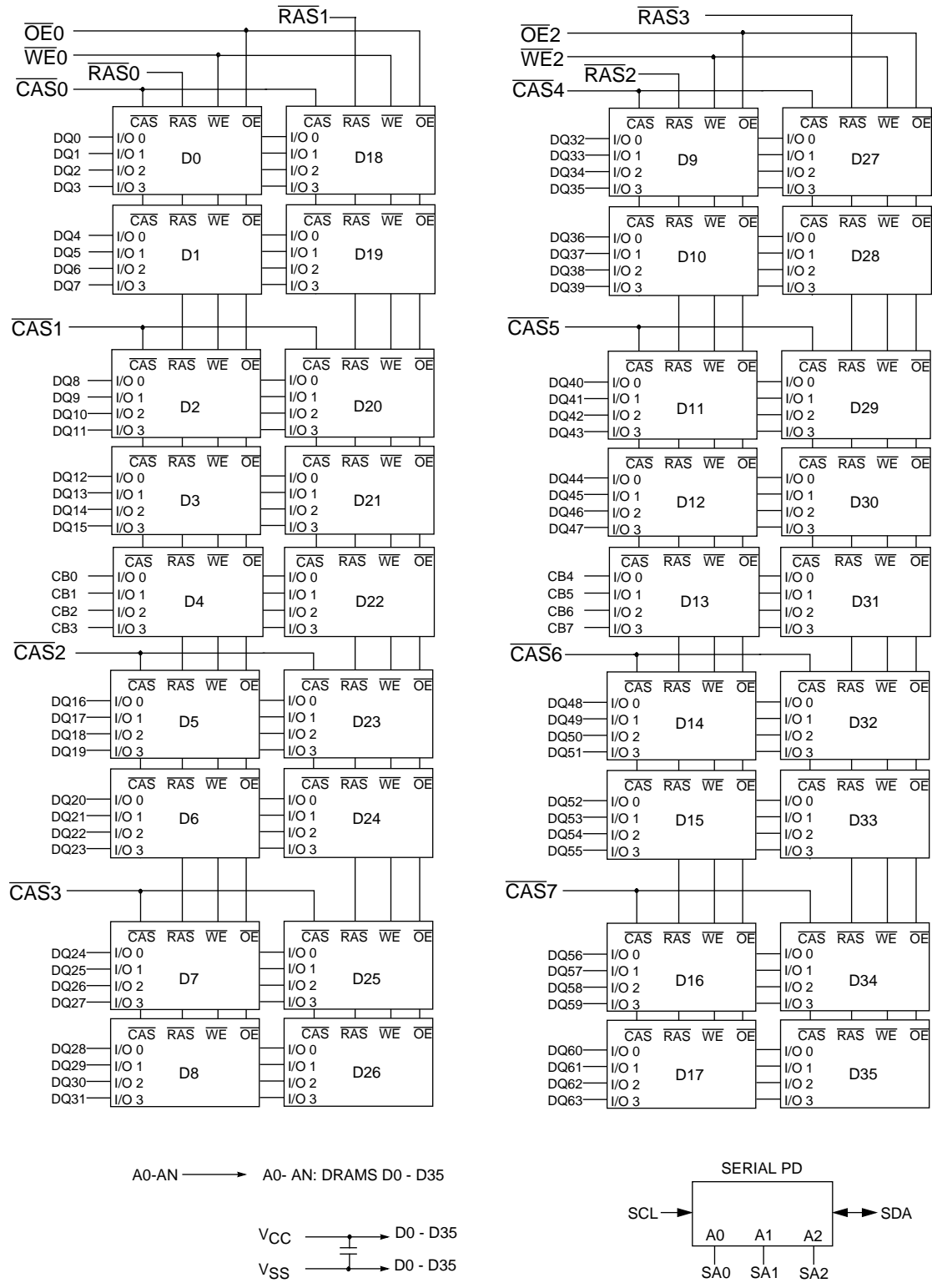
x64 DIMM Block Diagram (2 Bank, x4 DRAMs)





IBM11N8645B IBM11N8735B
 IBM11N8645C IBM11N8735C
 8M x 64/72 DRAM MODULE

x72 ECC DIMM Block Diagram (2 Bank, x4 DRAMs)





Truth Table

Function	RAS	$\overline{\text{CAS}}$	$\overline{\text{WE}}$	$\overline{\text{OE}}$	Row Address	Column Address	DQx	
Standby	H	H→X	X	X	X	X	High Impedance	
Read	L	L	H	L	Row	Col	Valid Data Out	
Early-Write	L	L	L	X	Row	Col	Valid Data In	
Late-Write	L	L	H→L	H	Row	Col	Valid Data In	
RMW	L	L	H→L	L→H	Row	Col	Valid Data In/Out	
EDO Page Mode - Read 1st Cycle	L	H→L	H	L	Row	Col	Valid Data Out	
Subsequent Cycles	L	H→L	H	L	N/A	Col	Valid Data Out	
EDO Page Mode - Write 1st Cycle	L	H→L	L	X	Row	Col	Valid Data In	
Subsequent Cycles	L	H→L	L	X	N/A	Col	Valid Data In	
EDO Page Mode - RMW 1st Cycle	L	H→L	H→L	L→H	Row	Col	Valid Data In/Out	
Subsequent Cycles	L	H→L	H→L	L→H	N/A	Col	Valid Data In/Out	
$\overline{\text{RAS}}$ -Only Refresh	L	H	X	X	Row	N/A	High Impedance	
$\overline{\text{CAS}}$ -Before- $\overline{\text{RAS}}$ Refresh	H→L	L	H	X	X	X	High Impedance	
Hidden Refresh	Read	L→H→L	L	H	L	Row	Col	Data Out
	Write	L→H→L	L	H	X	Row	Col	Data In



IBM11N8645B IBM11N8735B
 IBM11N8645C IBM11N8735C
8M x 64/72 DRAM MODULE

Serial Presence Detect

Byte #	Description	SPD Entry Value	Serial PD Data Entry (Hexadecimal)
0	Number of Serial PD Bytes Written during Production	128	80
1	Total Number of Bytes in Serial PD device	256	08
2	Fundamental Memory Type	EDO	02
3	Number of Row Addresses on Assembly	12	0C
		11	0B
4	Number of Column Addresses on Assembly	10	0A
		11	0B
5	Number of DIMM Banks	2	02
6 - 7	Data Width of Assembly	8M x 64	x64
		8M x 72	x72
8	Voltage Interface Level of this Assembly	LVTTTL	01
9	$\overline{\text{RAS}}$ Access	60ns	3C
		70ns	46
10	$\overline{\text{CAS}}$ Access	15ns	0F
		20ns	14
11	DIMM Configuration Type	8M x 64	Non-Parity
		8M x 72	ECC
12	Refresh Rate/Type	Normal 15.6us	00
13	Primary DRAM Data Width	x4	04
14	Error Checking DRAM Data Width	8M x 64	N/A
		8M x 72	x4
15 - 62	Reserved	Undefined	00
63	Checksum for bytes 0 - 62	Checksum Data	cc
64 - 71	Manufacturers' JEDEC ID Code	IBM	A400000000000000
72	Module Manufacturing Location	Toronto, Canada	91
		Vimercate, Italy	53
73 - 90	Module Part Number (70ns examples not shown)	8M x 64	ASCII '11N8645BB"R"-60J'
		8M x 64	ASCII '11N8645CB"R"-60J'
		8M x 72	ASCII '11N8735BB"R"-60J'
		8M x 72	ASCII '11N8735CB"R"-60J'
91 - 92	Module Revision Code	"R" plus ASCII blank	rr20
93 - 94	Module Manufacturing Date	Week/Year Code	wyyy
95 - 98	Module Serial Number	Serial Number	ssssssss
99 - 127	Reserved	Undefined	00
128 - 255	Open for Customer Use	Undefined	00

cc = Checksum Data byte, 00-FF (Hex)
 "R" = Alphanumeric revision code, A-Z, 0-9
 rr = ASCII coded revision code byte "R"
 ww = Binary coded decimal week code, 01-52 (Decimal) → 01-34 (Hex)
 yy = Binary coded decimal year code, 00-99 (Decimal) → 00-63 (Hex)
 ss = Serial number data byte, 00-FF (Hex)



Absolute Maximum Ratings

Symbol	Parameter	Rating (3.3V)		Units	Notes	
V_{CC}	Power Supply Voltage	-0.5 to +4.6		V	1	
V_{IN}	Input Voltage	-0.5 to min ($V_{CC} + 0.5$, 4.6)		V	1	
$V_{IN/OUT}$ (SPD)	Input Voltage (Serial PD Device)	-0.3 to +6.5		V	1	
V_{OUT}	Output Voltage	-0.5 to min ($V_{CC} + 0.5$, 4.6)		V	1	
T_{OPR}	Operating Temperature	0 to +70		°C	1	
T_{STG}	Storage Temperature	-55 to +125		°C	1	
P_D	Power Dissipation		11/11 Addressing	12/10 Addressing	W	1, 2
		x64	9.8	8.6		
		x72	11	9.7		
I_{OUT}	Short Circuit Output Current	50		mA	1	

1. Stresses greater than those listed may cause permanent damage to the device. This is a stress rating only and functional operation of the device at these or any other conditions above those indicated is not implied. Exposure to absolute maximum rating condition for extended periods may affect reliability.
2. Maximum power occurs when all banks are active (refresh cycle).

Recommended DC Operating Conditions ($T_A = 0$ to 70°C)

Symbol	Parameter	3.3V			Units	Notes
		Min	Typ	Max		
V_{CC}	Supply Voltage	3.0	3.3	3.6	V	1
V_{IH}	Input High Voltage	2.0	—	$V_{CC} + 0.5$	V	1, 2
V_{IL}	Input Low Voltage	-0.5	—	0.8	V	1, 2

1. All voltages referenced to V_{SS} .
2. V_{IH} may overshoot to $V_{CC} + 1.2\text{V}$ for pulse widths of $\leq 4.0\text{ns}$ (or $V_{CC} + 1.0\text{V}$ for $\leq 8.0\text{ns}$). Additionally, V_{IL} may undershoot to -2.0V for pulse widths $\leq 4.0\text{ns}$ (or -1.0V for $\leq 8.0\text{ns}$). Pulse widths measured at 50% points with amplitude measured peak to DC reference.

Capacitance ($T_A = 0$ to $+70^\circ\text{C}$, $V_{CC} = 3.3\text{V} \pm 0.3\text{V}$)

Symbol	Parameter	Max		Units
		x64	x72	
C_{I1}	Input Capacitance (A0-A11)	160	200	pF
C_{I2}	Input Capacitance (\overline{RAS})	70	75	pF
C_{I3}	Input Capacitance (\overline{WE} , \overline{OE})	90	100	pF
C_{I4}	Input Capacitance (\overline{CAS})	40	50	pF
C_{I5}	Input Capacitance (\overline{SCL} , SA0-3)	8	8	pF
C_{IO1}	Input/Output Capacitance (DQx, CBx)	22	22	pF
C_{IO2}	Input/Output Capacitance (SDA)	10	10	pF



IBM11N8645B IBM11N8735B
 IBM11N8645C IBM11N8735C
8M x 64/72 DRAM MODULE

DC Electrical Characteristics ($T_A = 0$ to $+70^\circ\text{C}$, $V_{CC} = 3.3\text{V} \pm 0.3\text{V}$)

Symbol	Parameter	11/11 Addressing				12/10 Addressing				Units	Notes	
		x64		x72		x64		x72				
		Min.	Max.	Min.	Max.	Min.	Max.	Min.	Max.			
I _{CC1}	Operating Current	-60	—	1392	—	1566	—	1232	—	1386	mA	1, 2, 3
	Average Power Supply Operating Current (RAS, CAS, Address Cycling: $t_{RC} = t_{RC}$ min.)	-70	—	1232	—	1386	—	1072	—	1206		
I _{CC2}	Standby Current (TTL)	—	64	—	72	—	64	—	72	mA		
	Power Supply Standby Current ($\overline{\text{RAS}} = \overline{\text{CAS}} = V_{IH}$)											
I _{CC3}	$\overline{\text{RAS}}$ Only Refresh Current	-60	—	1392	—	1566	—	1232	—	1386	mA	1, 3
	Average Power Supply Current, $\overline{\text{RAS}}$ Only Mode ($\overline{\text{RAS}}$ Cycling, $\overline{\text{CAS}} = V_{IH}$; $t_{RC} = t_{RC}$ min)	-70	—	1232	—	1386	—	1072	—	1206		
I _{CC4}	EDO Page Mode Current	-60	—	1072	—	1206	—	1072	—	1206	mA	1, 2, 3
	Average Power Supply Current, EDO Page Mode ($\text{RAS} = V_{IL}$, $\overline{\text{CAS}}$, Address Cycling: $t_{HPC} = t_{HPC}$ min)	-70	—	912	—	1026	—	912	—	1026		
I _{CC5}	Standby Current (CMOS)	—	32	—	36	—	32	—	36	mA		
	Power Supply Standby Current ($\overline{\text{RAS}} = \overline{\text{CAS}} = V_{CC} - 0.2\text{V}$)											
I _{CC6}	$\overline{\text{CAS}}$ Before $\overline{\text{RAS}}$ Refresh Current	-60	—	1392	—	1566	—	1232	—	1386	mA	1, 3, 4
	Average Power Supply Current, $\overline{\text{CAS}}$ Before $\overline{\text{RAS}}$ Mode (RAS, $\overline{\text{CAS}}$, Cycling: $t_{RC} = t_{RC}$ min)	-70	—	1232	—	1386	—	1072	—	1206		
I _{I(L)}	Input Leakage Current	$\overline{\text{RAS}}$	-80	+80	-90	+90	-80	+80	-90	+90	μA	
	Input Leakage Current, any input ($0.0 \leq V_{IN} \leq (V_{CC} + 0.3\text{V})$), All Other Pins Not Under Test = 0V	$\overline{\text{WE}}, \overline{\text{OE}}$	-160	+160	-180	+180	-160	+160	-180	+180		
	$\overline{\text{CAS}}$	-40	+40	-60	+60	-40	+40	-60	+60			
	Address	-320	+320	-360	+360	-320	+320	-360	+360			
I _{O(L)}	Output Leakage Current (D_{OUT} is disabled, $0.0 \leq V_{OUT} \leq V_{CC}$)	-20	+20	-20	+20	-20	+20	-20	+20	μA		
V _{OH}	Output Level (TTL) Output "H" Level Voltage ($I_{OUT} = -2.5\text{mA}$)	2.4	V _{CC}	2.4	V _{CC}	2.4	V _{CC}	2.4	V _{CC}	V		
V _{OL}	Output Level (TTL) Output "L" Level Voltage ($I_{OUT} = +2.1\text{mA}$)	0.0	0.4	0.0	0.4	0.0	0.4	0.0	0.4	V		

1. I_{CC1}, I_{CC3}, I_{CC4} and I_{CC6} depend on cycle rate.
2. I_{CC1} and I_{CC4} depend on output loading. Specified values are obtained with the output open.
3. Address can be changed once or less while $\overline{\text{RAS}} = V_{IL}$. In the case of I_{CC4}, it can be changed once or less when $\overline{\text{CAS}} = V_{IH}$.
4. Refresh current is specified for 1 bank active and 1 bank standby.



AC Characteristics ($T_A = 0$ to $+70^\circ\text{C}$, $V_{CC} = 3.3\text{V} \pm 0.3\text{V}$)

- V_{IH} (min) and V_{IL} (max) are reference levels for measuring timing of input signals. Transition times are measured between V_{IH} and V_{IL} .
- An initial pause of $200\mu\text{s}$ is required after power-up followed by $8 \overline{\text{RAS}}$ only refresh cycles before proper device operation is achieved. In case of using internal refresh counter, a minimum of $8 \overline{\text{CAS}}$ before $\overline{\text{RAS}}$ refresh cycles instead of $8 \overline{\text{RAS}}$ only refresh cycles is required..
- AC measurements assume $t_T = 2\text{ns}$.

Read, Write, Read-Modify-Write and Refresh Cycles (Common Parameters)

Symbol	Parameter	-60		-70		Unit	Notes
		Min	Max	Min	Max		
t_{RC}	Random Read or Write Cycle Time	104	—	124	—	ns	
t_{RP}	$\overline{\text{RAS}}$ Precharge Time	40	—	50	—	ns	
t_{CP}	$\overline{\text{CAS}}$ Precharge Time	10	—	10	—	ns	
t_{RAS}	$\overline{\text{RAS}}$ Pulse Width	60	10K	70	10K	ns	
t_{CAS}	$\overline{\text{CAS}}$ Pulse Width	10	10K	12	10K	ns	
t_{ASR}	Row Address Setup Time	0	—	0	—	ns	
t_{RAH}	Row Address Hold Time	10	—	10	—	ns	
t_{ASC}	Column Address Setup Time	0	—	0	—	ns	
t_{CAH}	Column Address Hold Time	10	—	10	—	ns	
t_{RCD}	$\overline{\text{RAS}}$ to $\overline{\text{CAS}}$ Delay Time	14	45	14	50	ns	1
t_{RAD}	$\overline{\text{RAS}}$ to Column Address Delay Time	12	30	12	35	ns	2
t_{RSH}	$\overline{\text{RAS}}$ Hold Time	10	—	12	—	ns	
t_{CSH}	$\overline{\text{CAS}}$ Hold Time	50	—	55	—	ns	
t_{CRP}	$\overline{\text{CAS}}$ to $\overline{\text{RAS}}$ Precharge Time	5	—	5	—	ns	
t_{ODD}	$\overline{\text{OE}}$ to D_{IN} Delay Time	15	—	15	—	ns	3
t_{DZO}	$\overline{\text{OE}}$ Delay Time from D_{IN}	0	—	0	—	ns	4
t_{DZC}	$\overline{\text{CAS}}$ Delay Time from D_{IN}	0	—	0	—	ns	4
t_T	Transition Time (Rise and Fall)	2	30	2	30	ns	

- Operation within the $t_{RCD}(\text{max})$ limit ensures that $t_{RAC}(\text{max})$ can be met. The $t_{RCD}(\text{max})$ is specified as a reference point only: If t_{RCD} is greater than the specified $t_{RCD}(\text{max})$ limit, then access time is controlled by t_{CAC} .
- Operation within the $t_{RAD}(\text{max})$ limit ensures that $t_{RAC}(\text{max})$ can be met. The $t_{RAD}(\text{max})$ is specified as a reference point only: If t_{RAD} is greater than the specified $t_{RAD}(\text{max})$ limit, then access time is controlled by t_{AA} .
- Either t_{CDD} or t_{ODD} must be satisfied.
- Either t_{DZC} or t_{DZO} must be satisfied.



IBM11N8645B IBM11N8735B
 IBM11N8645C IBM11N8735C
 8M x 64/72 DRAM MODULE

Write Cycle

Symbol	Parameter	-60		-70		Unit	Notes
		Min	Max	Min	Max		
t_{WCS}	Write Command Set Up Time	0	—	0	—	ns	1
t_{WCH}	Write Command Hold Time	10	—	12	—	ns	
t_{WP}	Write Command Pulse Width	10	—	12	—	ns	
t_{RWL}	Write Command to \overline{RAS} Lead Time	10	—	12	—	ns	
t_{CWL}	Write Command to \overline{CAS} Lead Time	10	—	12	—	ns	
t_{DS}	D_{IN} Setup Time	0	—	0	—	ns	2
t_{DH}	D_{IN} Hold Time	10	—	12	—	ns	2

- t_{WCS} , t_{RWD} , t_{CWD} , and t_{AWD} are not restrictive parameters. They are included in the data sheet as electrical characteristics only. If $t_{WCS} \geq t_{WCS}(\text{min.})$, the entire cycle is an early write cycle and the data pin will remain open circuit (high impedance) through the entire cycle; If $t_{RWD} \geq t_{RWD}(\text{min.})$, $t_{CWD} \geq t_{CWD}(\text{min.})$ and $t_{AWD} \geq t_{AWD}(\text{min.})$, the cycle is a Read-Modify-Write cycle and the data will contain read from the selected cell: If neither of the above sets of conditions are met, the condition of the data (at access time) is indeterminate.
- Data-in set-up and hold is measured from the latter of the two timings, \overline{CAS} or \overline{WE} .



Read Cycle

Symbol	Parameter	-60		-70		Unit	Notes
		Min	Max	Min	Max		
t_{RAC}	Access Time from \overline{RAS}	—	60	—	70	ns	1, 2
t_{CAC}	Access Time from \overline{CAS}	—	15	—	20	ns	1, 2
t_{AA}	Access Time from Address	—	30	—	35	ns	1, 2
t_{OEA}	Access Time from \overline{OE}	—	15	—	20	ns	1, 2
t_{RCS}	Read Command Setup Time	0	—	0	—	ns	
t_{RCH}	Read Command Hold Time to \overline{CAS}	0	—	0	—	ns	3
t_{RRH}	Read Command Hold Time to \overline{RAS}	0	—	0	—	ns	3
t_{RAL}	Column Address to \overline{RAS} Lead Time	30	—	35	—	ns	
t_{CLZ}	\overline{CAS} to Output in Low-Z	0	—	0	—	ns	
t_{OES}	\overline{OE} setup time prior to \overline{CAS}	5	—	5	—	ns	
t_{ORD}	\overline{OE} setup time prior to \overline{RAS} (Hidden Refresh)	0	—	0	—	ns	
t_{CDD}	\overline{CAS} to D_{IN} Delay Time	15	—	15	—	ns	5
t_{OEZ}	Output Buffer Turn-off Delay from \overline{OE}	—	15	—	15	ns	4
t_{OFF}	Output Buffer Turn-off Delay	—	15	—	15	ns	4, 6

1. Measured with the specified current load and 100pF.
2. Access time is determined by the latter of t_{RAC} , t_{CAC} , t_{CPA} , t_{AA} , t_{OEA} .
3. Either t_{RCH} or t_{RRH} must be satisfied.
4. t_{OFF} (max) and t_{OEZ} (max) define the time at which the output achieves the open circuit condition and is not referenced to output voltage levels.
5. Either t_{CDD} or t_{ODD} must be satisfied.
6. t_{OFF} is referenced from the rising edge of \overline{RAS} or \overline{CAS} , whichever is last.



IBM11N8645B IBM11N8735B
 IBM11N8645C IBM11N8735C
 8M x 64/72 DRAM MODULE

Read-Modify-Write Cycle

Symbol	Parameter	-60		-70		Unit	Notes
		Min	Max	Min	Max		
t_{RWC}	Read-Modify-Write Cycle Time	135	—	162	—	ns	
t_{RWD}	\overline{RAS} to \overline{WE} Delay Time	79	—	94	—	ns	1
t_{CWD}	\overline{CAS} to \overline{WE} Delay Time	34	—	44	—	ns	1
t_{AWD}	Column Address to \overline{WE} Delay Time	49	—	59	—	ns	1
t_{OEH}	\overline{OE} Command Hold Time	10	—	12	—	ns	

1. t_{WCS} , t_{RWD} , t_{CWD} , and t_{AWD} are not restrictive parameters. They are included in the data sheet as electrical characteristics only. If $t_{WCS} \geq t_{WCS}(\text{min.})$, the entire cycle is an early write cycle and the data pin will remain open circuit (high impedance) through the entire cycle; if $t_{RWD} \geq t_{RWD}(\text{min.})$, $t_{CWD} \geq t_{CWD}(\text{min.})$ and $t_{AWD} \geq t_{AWD}(\text{min.})$, the cycle is a Read-Modify-Write cycle and the data will contain read from the selected cell: If neither of the above sets of conditions are met, the condition of the data (at access time) is indeterminate.

EDO Mode Cycle

Symbol	Parameter	-60		-70		Units	Notes
		Min.	Max.	Min.	Max.		
t_{HCAS}	\overline{CAS} Pulse Width (EDO Page Mode)	10	10K	12	10K	ns	
t_{HPC}	EDO Page Mode Cycle Time (Read/Write)	25	—	30	—	ns	
t_{HPRWC}	EDO Page Mode Read Modify Write Cycle Time	60	—	72	—	ns	
t_{DOH}	Data-out Hold Time from \overline{CAS}	5	—	5	—	ns	
t_{WHZ}	Output buffer Turn-Off Delay from \overline{WE}	0	10	0	15	ns	
t_{WPZ}	\overline{WE} Pulse Width to Output Disable at \overline{CAS} High	10	—	10	—	ns	
t_{CPRH}	\overline{RAS} Hold Time from \overline{CAS} Precharge	35	—	40	—	ns	
t_{CPA}	Access Time from \overline{CAS} Precharge	—	35	—	40	ns	1
t_{RASP}	EDO Page Mode \overline{RAS} Pulse Width	60	125K	70	125K	ns	
t_{OEP}	\overline{OE} High Pulse Width	10	—	10	—	ns	
t_{OEHC}	\overline{OE} High Hold Time from \overline{CAS} High	10	—	10	—	ns	

1. Measured with the specified current load and 100pF at $V_{OL} = 0.8V$ and $V_{OH} = 2.0V$.



Refresh Cycle

Symbol	Parameter	-60		-70		Unit	Notes
		Min	Max	Min	Max		
t_{CHR}	\overline{CAS} Hold Time (\overline{CAS} before \overline{RAS} Refresh Cycle)	10	—	10	—	ns	
t_{CSR}	\overline{CAS} Setup Time (\overline{CAS} before \overline{RAS} Refresh Cycle)	5	—	5	—	ns	
t_{WRP}	\overline{WE} Setup Time (\overline{CAS} before \overline{RAS} Refresh Cycle)	10	—	10	—	ns	
t_{WRH}	\overline{WE} Hold Time (\overline{CAS} before \overline{RAS} Refresh Cycle)	10	—	10	—	ns	
t_{RPC}	\overline{RAS} Precharge to \overline{CAS} Hold Time	5	—	5	—	ns	
t_{REF}	Refresh Period	—	32	—	32	ms	1
		—	64	—	64	ms	2

- 2048 refreshes are required every 32ms (11/11 addressing).
- 4086 refreshes are required every 64ms (12/10 addressing).

Presence Detect Read and Write Cycle

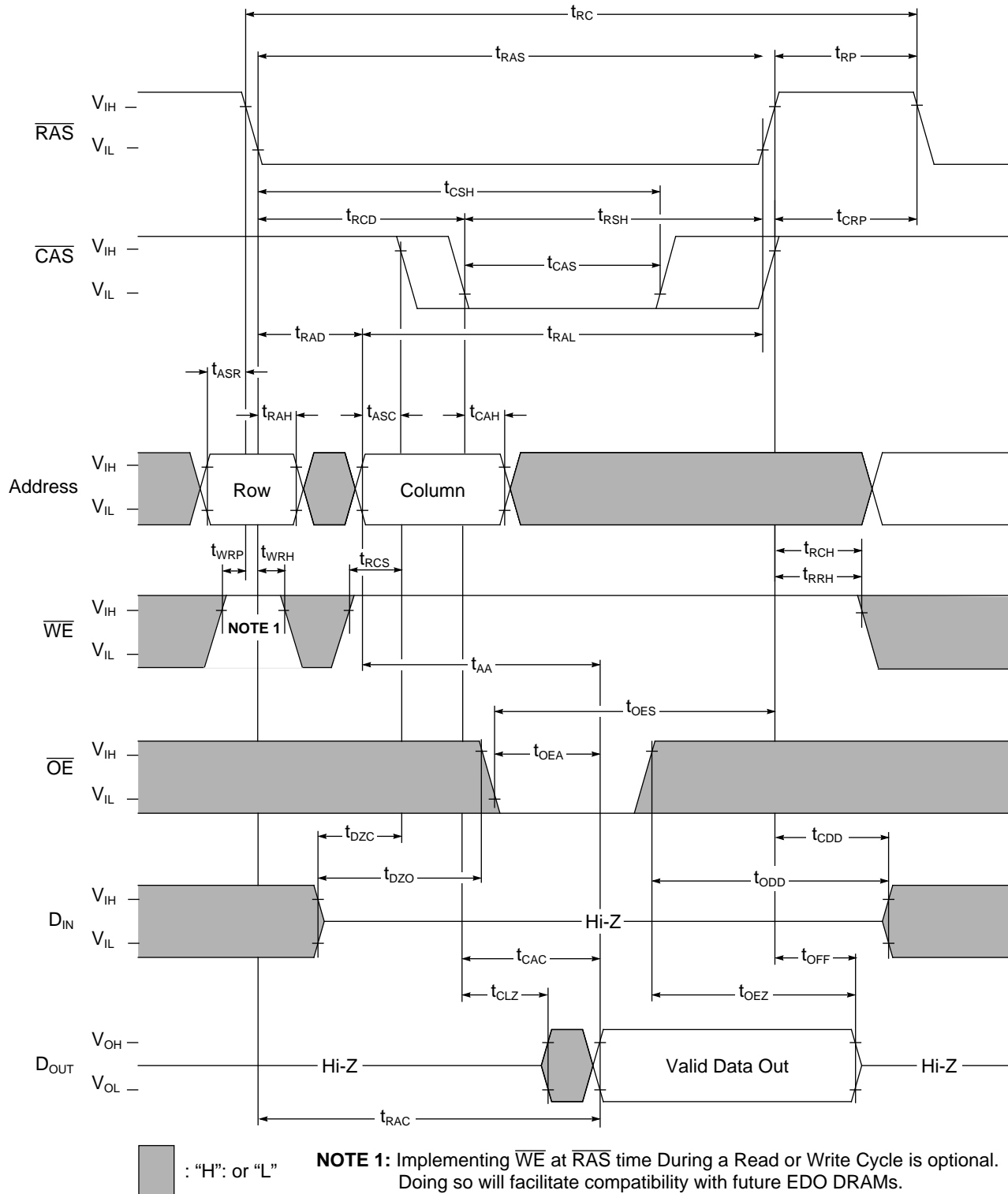
Symbol	Parameter	Min	Max	Unit	Notes
f_{SCL}	SCL Clock Frequency		100	KHZ	
T_I	Noise Suppression Time Constant at SCL, SDA Inputs		100	ns	
t_{AA}	SCL Low to SDA Data Out Valid	0.3	3.5	μ s	
t_{BUF}	Time the Bus Must Be Free before a New Transmission Can Start	4.7		μ s	
$t_{HD:STA}$	Start Condition Hold Time	4.0		μ s	
t_{LOW}	Clock Low Period	4.7		μ s	
t_{HIGH}	Clock High Period	4.0		μ s	
$t_{SU:STA}$	Start Condition Setup Time(for a Repeated Start Condition)	4.7		μ s	
$t_{HD:DAT}$	Data in Hold Time	0		μ s	
$t_{SU:DAT}$	Data in Setup Time	250		ns	
t_r	SDA and SCL Rise Time		1	μ s	
t_f	SDA and SCL Fall Time		300	ns	
$t_{SU:STO}$	Stop Condition Setup Time	4.7		μ s	
t_{DH}	Data Out Hold Time	300		ns	
t_{WR}	Write Cycle Time		15	ms	1

- The write cycle time(t_{WR}) is the time from a valid stop condition of a write sequence to the end of the internal erase/program cycle. During the write cycle, the bus interface circuits are disabled, SDA is allowed to remain high per the bus-level pull-up resistor, and the device does not respond to its slave address.



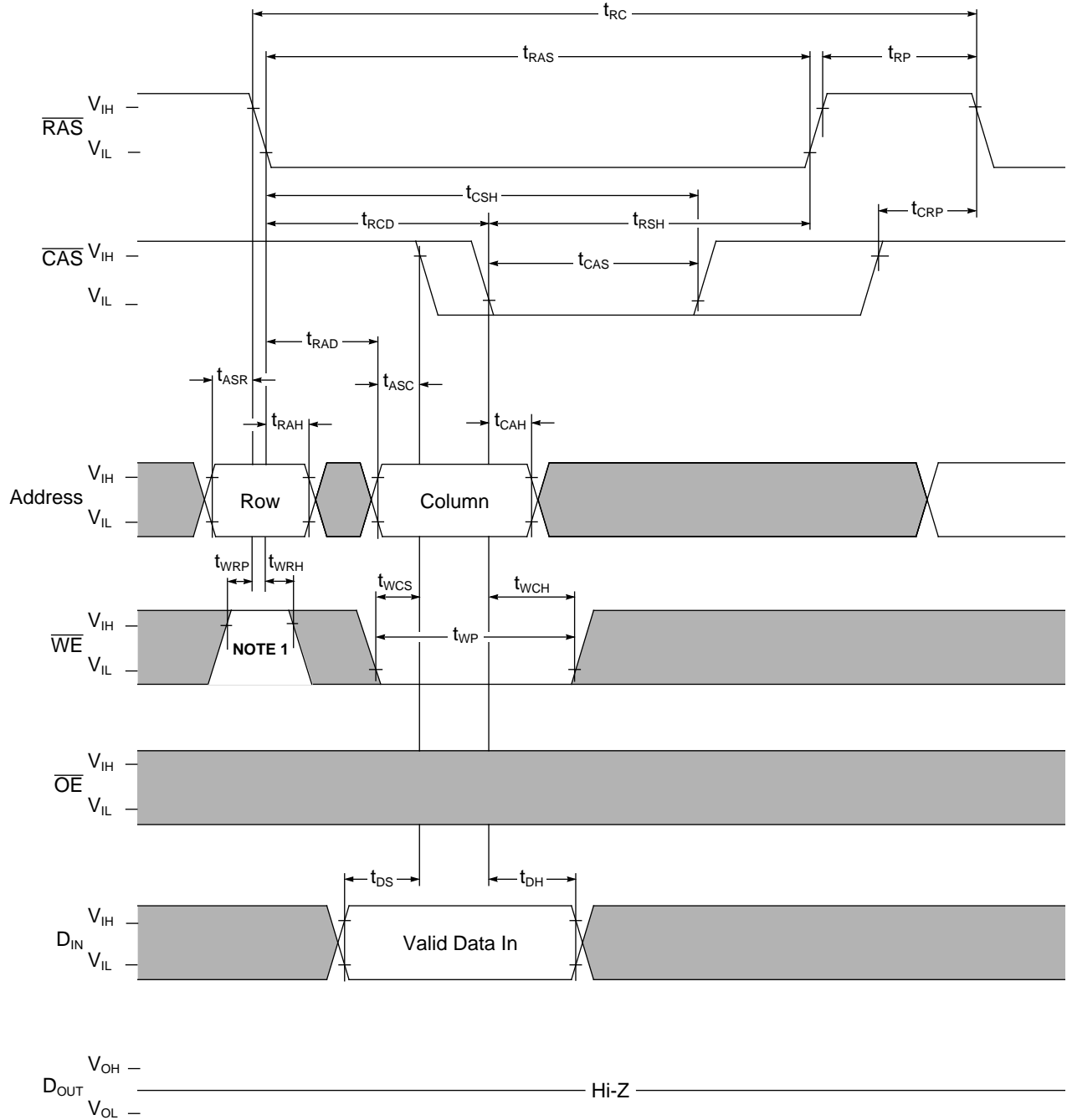
IBM11N8645B IBM11N8735B
 IBM11N8645C IBM11N8735C
 8M x 64/72 DRAM MODULE


Read Cycle





Write Cycle (Early Write)



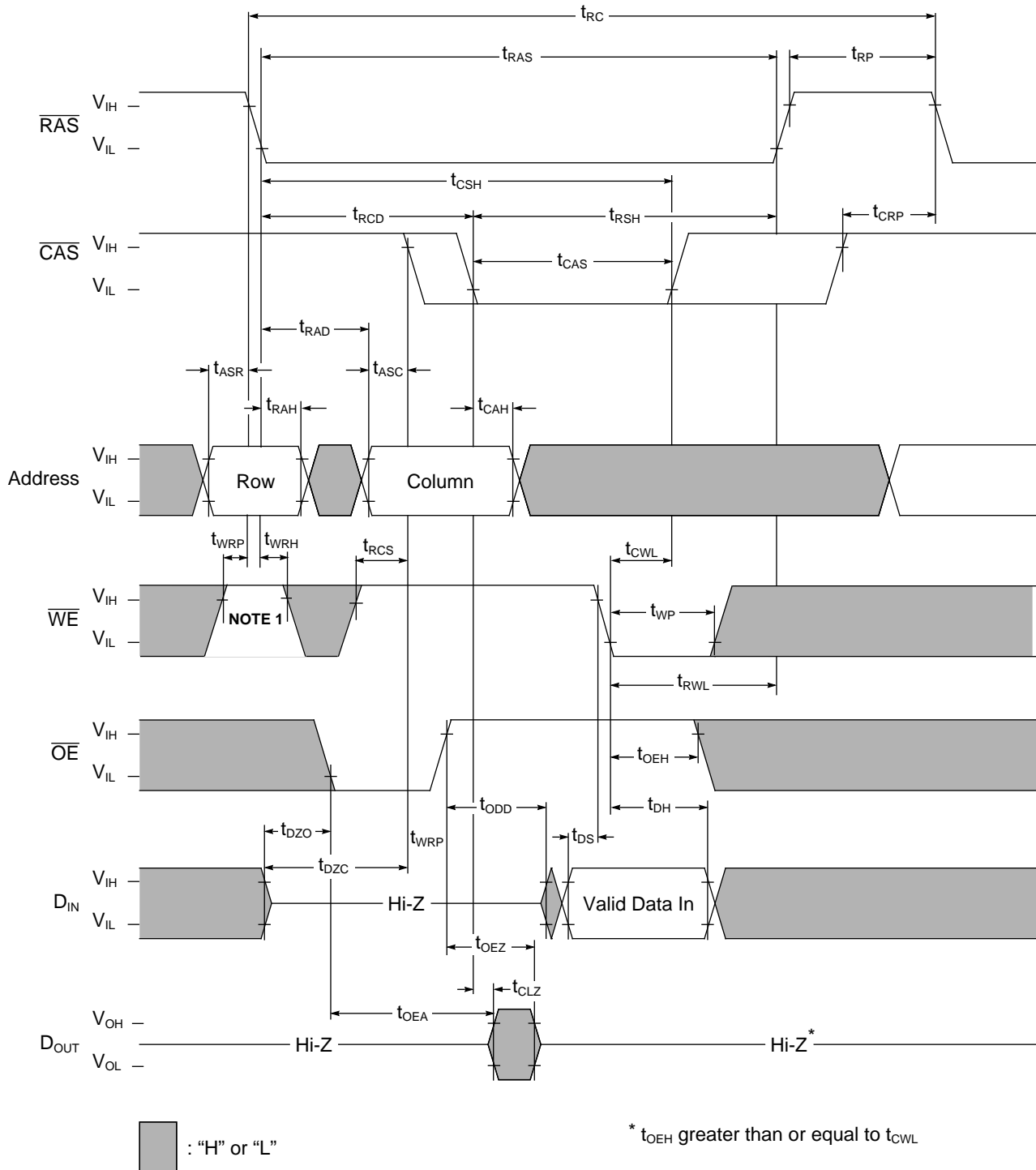
 : "H" or "L"

NOTE 1: Implementing \overline{WE} at \overline{RAS} time During a Read or Write Cycle is optional. Doing so will facilitate compatibility with future EDO DRAMs.



IBM11N8645B IBM11N8735B
 IBM11N8645C IBM11N8735C
 8M x 64/72 DRAM MODULE

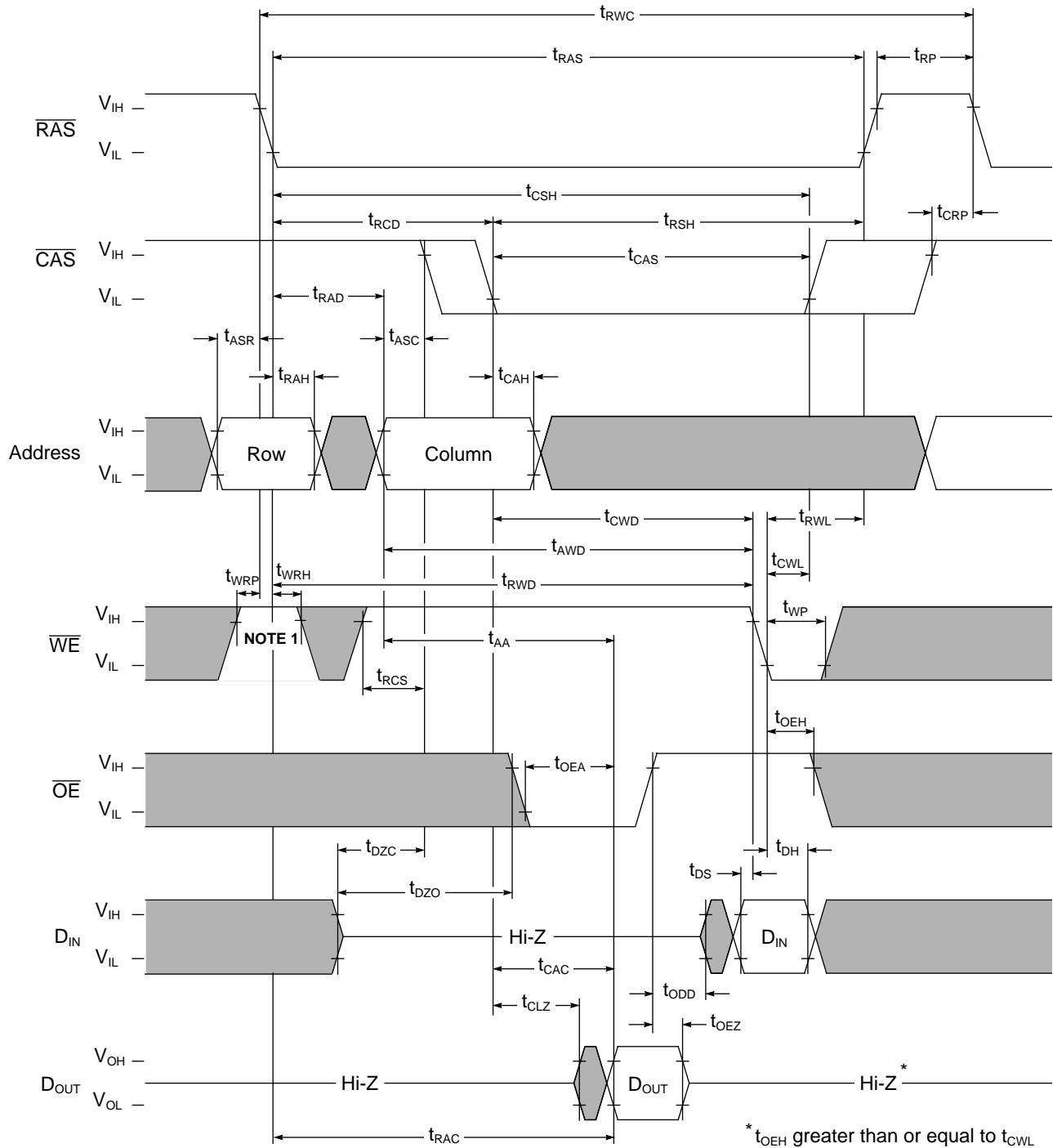
Write Cycle (Late Write)



NOTE 1: Implementing \overline{WE} at \overline{RAS} time During a Read or Write Cycle is optional. Doing so will facilitate compatibility with future EDO DRAMs.



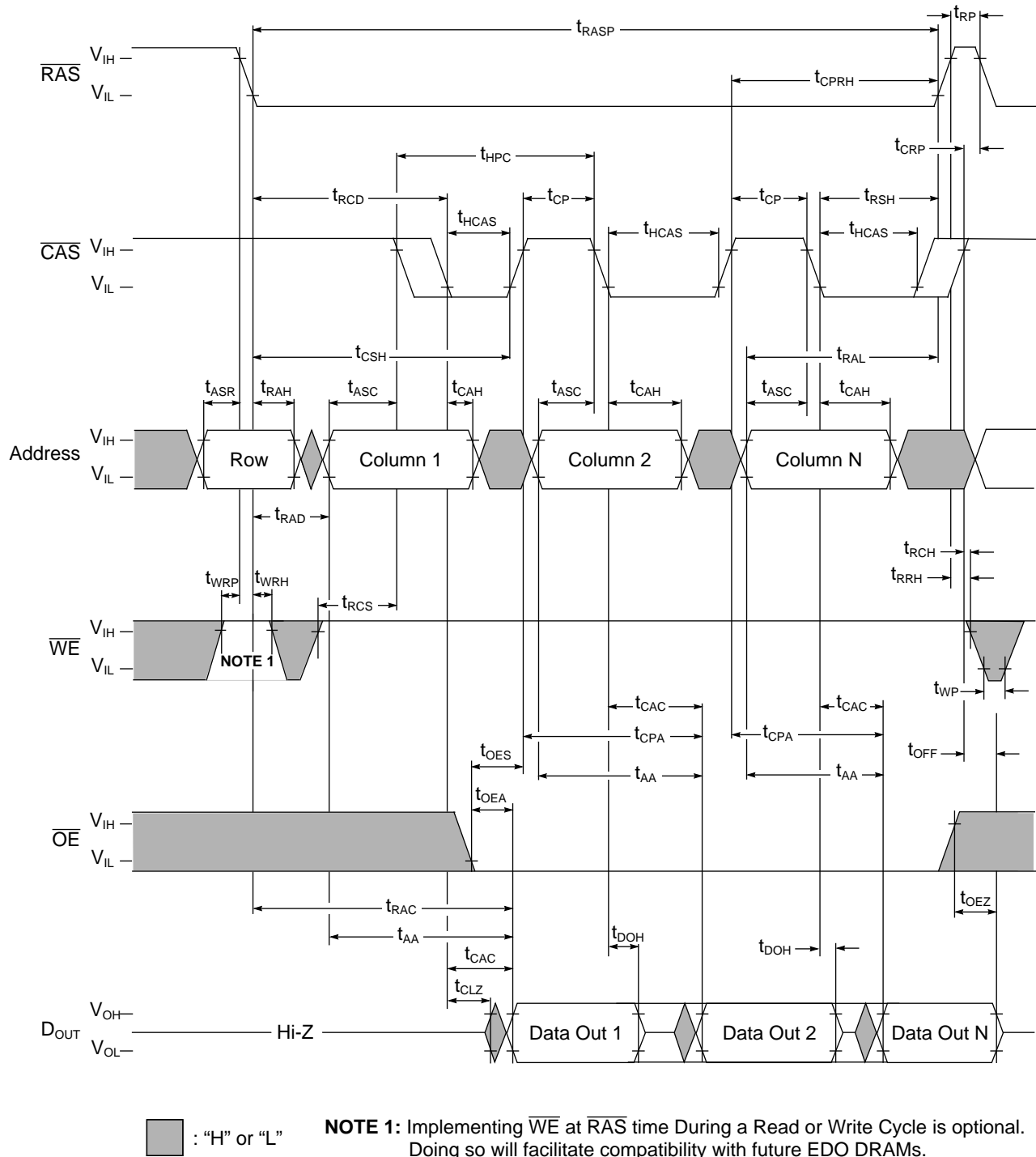
Read-Modify-Write-Cycle





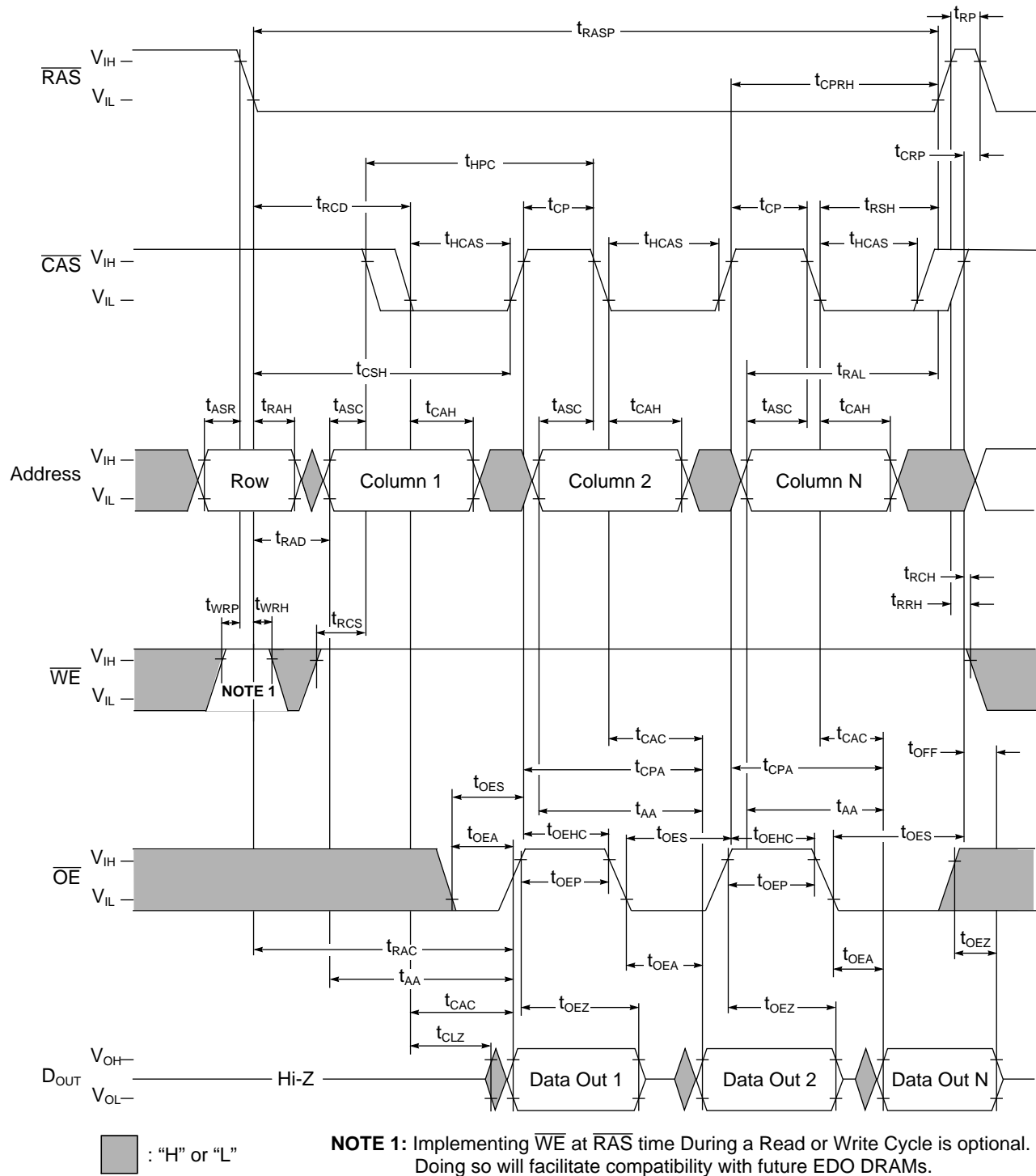
IBM11N8645B IBM11N8735B
 IBM11N8645C IBM11N8735C
 8M x 64/72 DRAM MODULE

EDO Page Mode Read Cycle





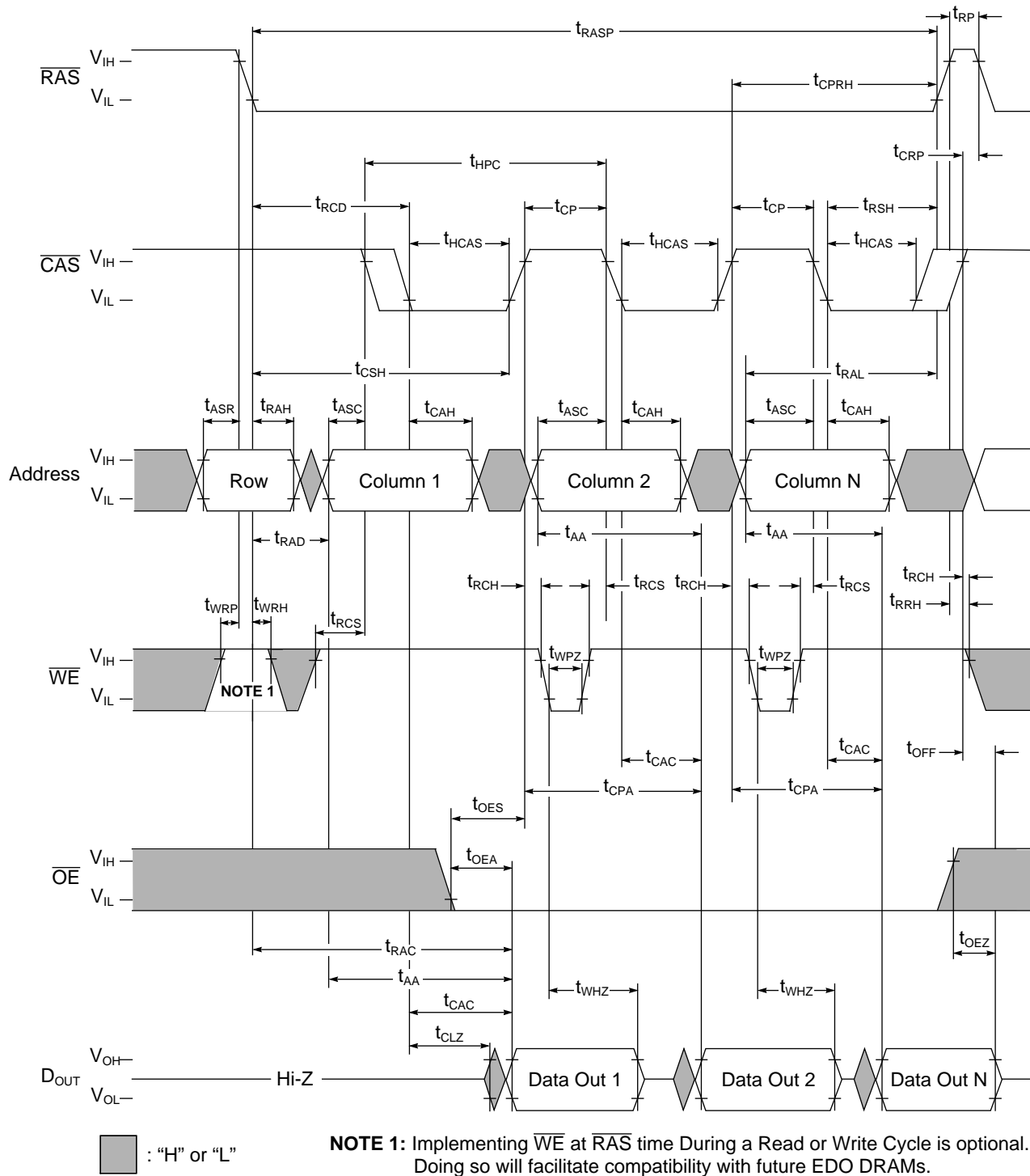
EDO Page Mode Read Cycle (\overline{OE} Control)





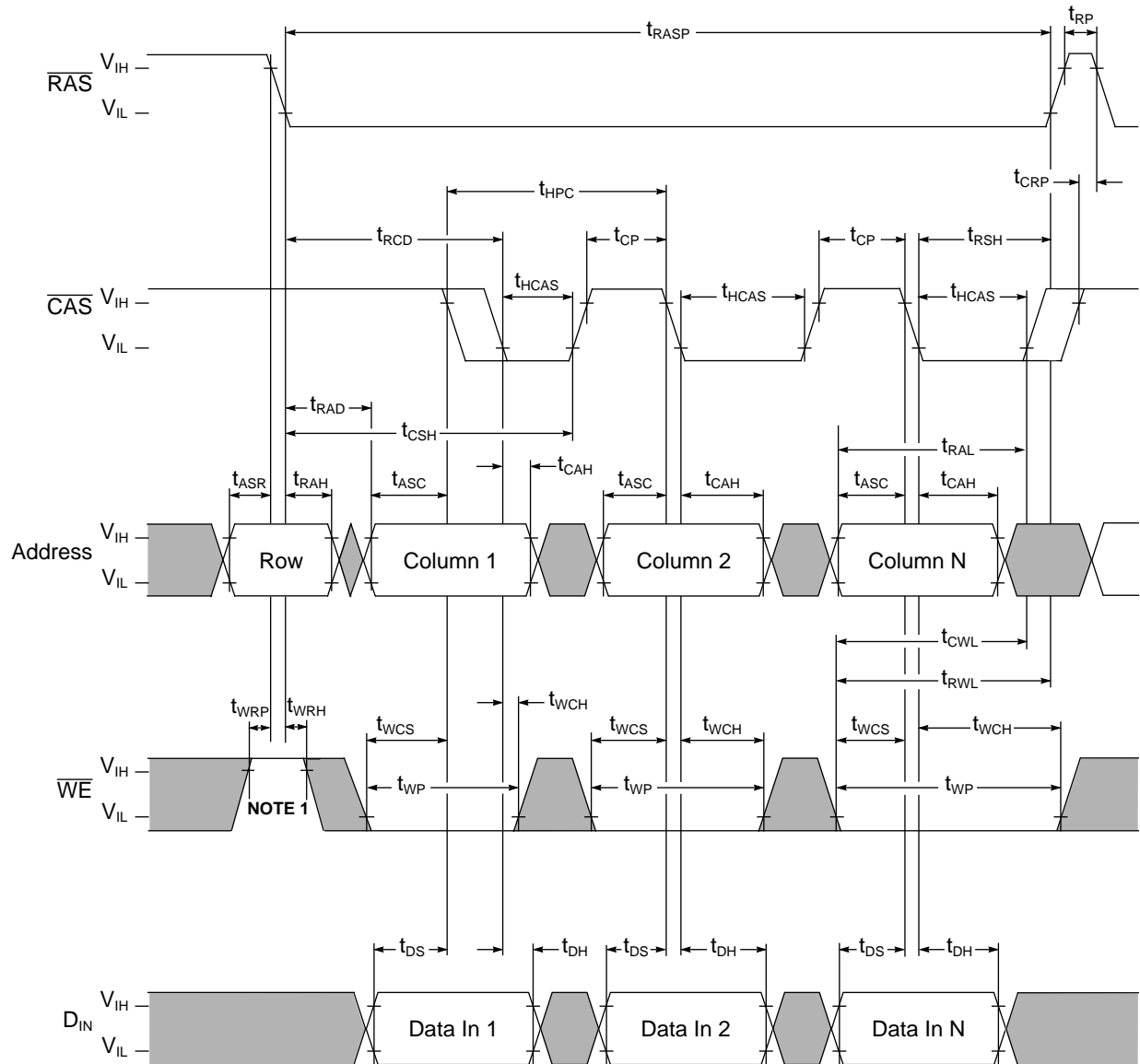
IBM11N8645B IBM11N8735B
 IBM11N8645C IBM11N8735C
 8M x 64/72 DRAM MODULE

EDO Page Mode Read Cycle (\overline{WE} Control)





EDO Page Mode Early Write Cycle



: "H" or "L"

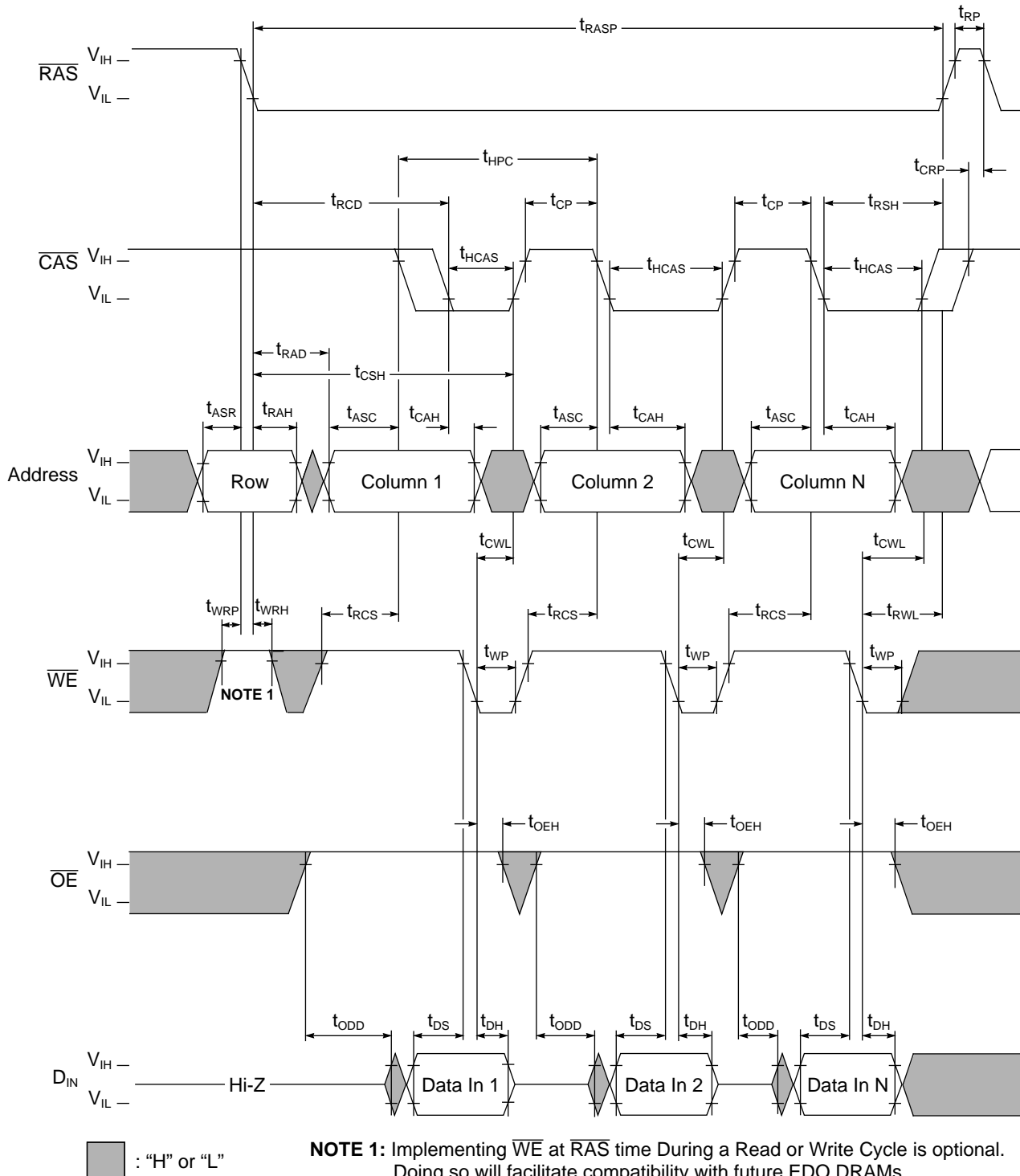
NOTE 1: Implementing \overline{WE} at \overline{RAS} time During a Read or Write Cycle is optional. Doing so will facilitate compatibility with future EDO DRAMs.

\overline{OE} = Don't care



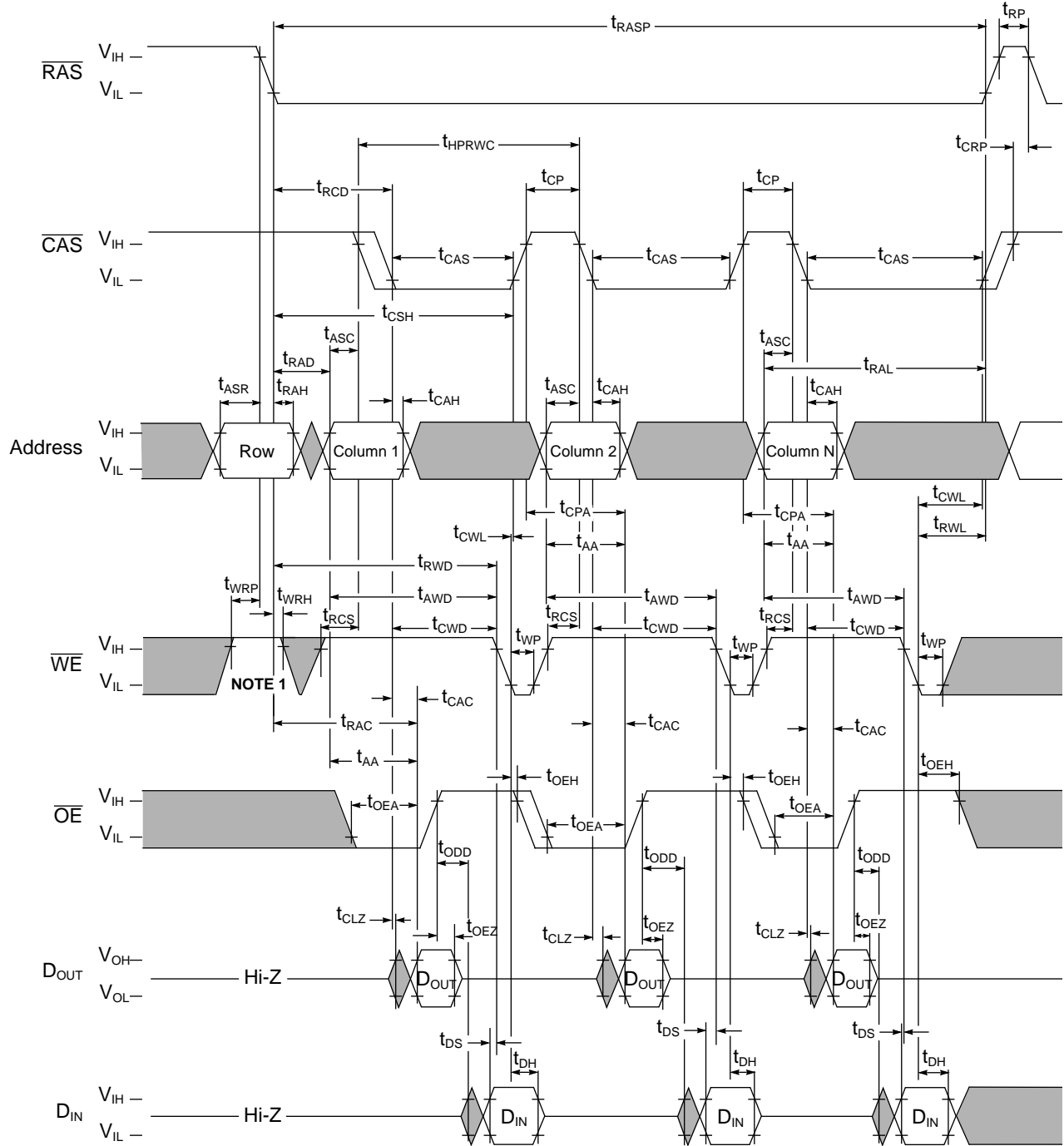
IBM11N8645B IBM11N8735B
 IBM11N8645C IBM11N8735C
 8M x 64/72 DRAM MODULE

EDO Page Mode Late Write Cycle





EDO Page Mode Read Modify Write Cycle



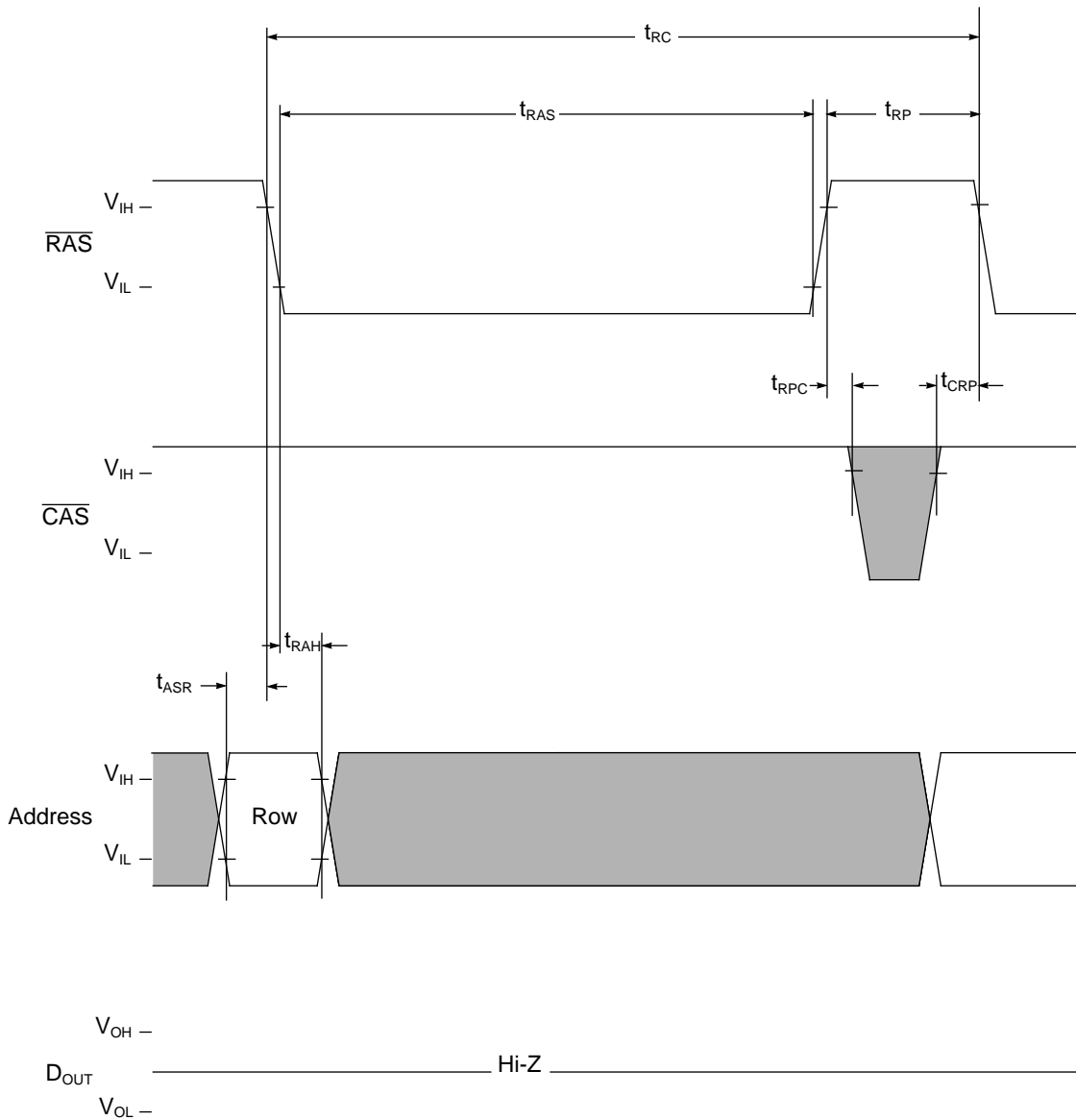
■ : "H" or "L"


NOTE 1: Implementing \overline{WE} at \overline{RAS} time During a Read or Write Cycle is optional. Doing so will facilitate compatibility with future EDO DRAMs.



IBM11N8645B IBM11N8735B
 IBM11N8645C IBM11N8735C
 8M x 64/72 DRAM MODULE

RAS Only Refresh Cycle

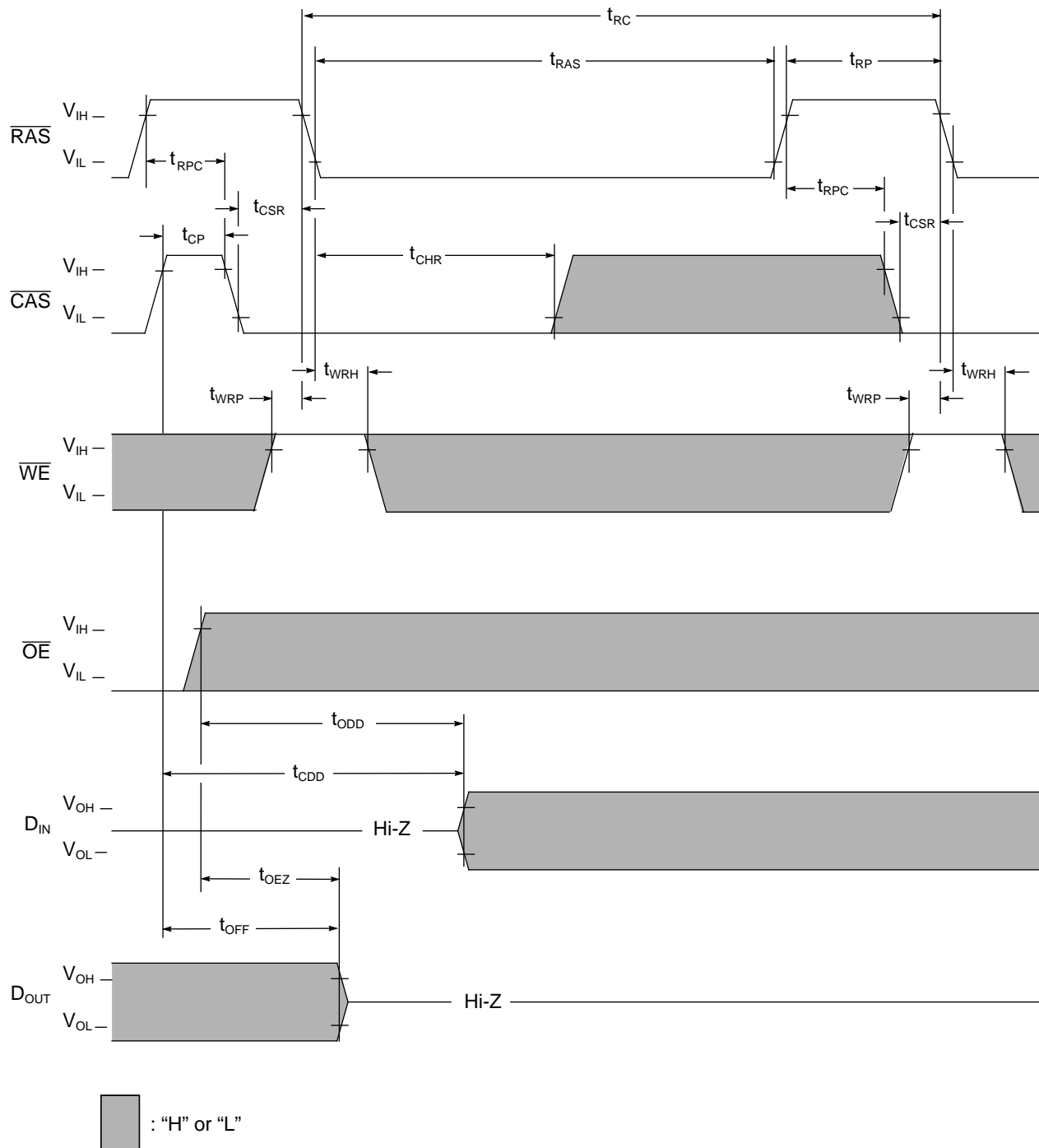


 : "H" or "L"

Note: \overline{WE} , \overline{OE} , D_{IN} are "H" or "L"



CAS Before RAS Refresh Cycle

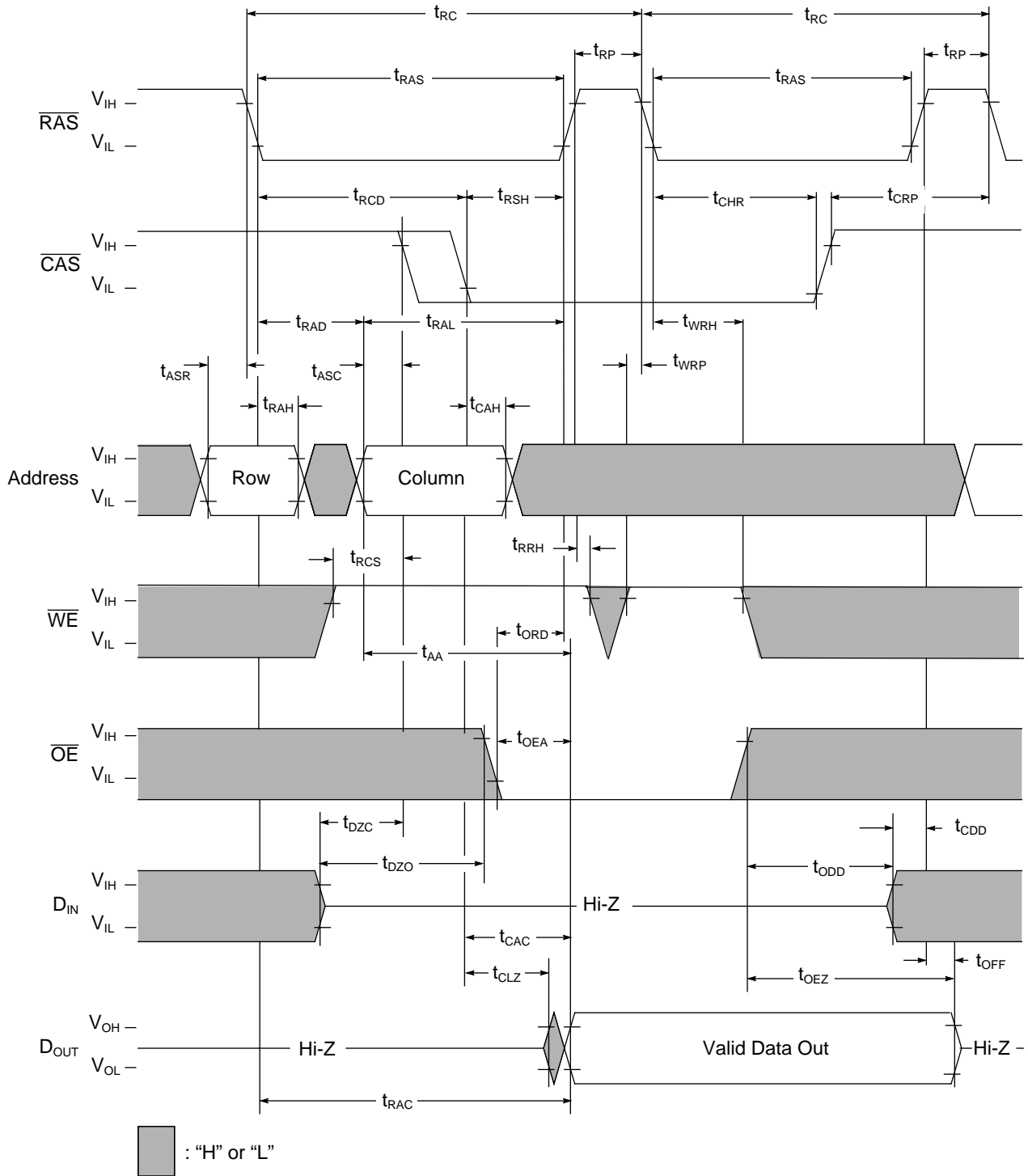


NOTE: Address is "H" or "L"



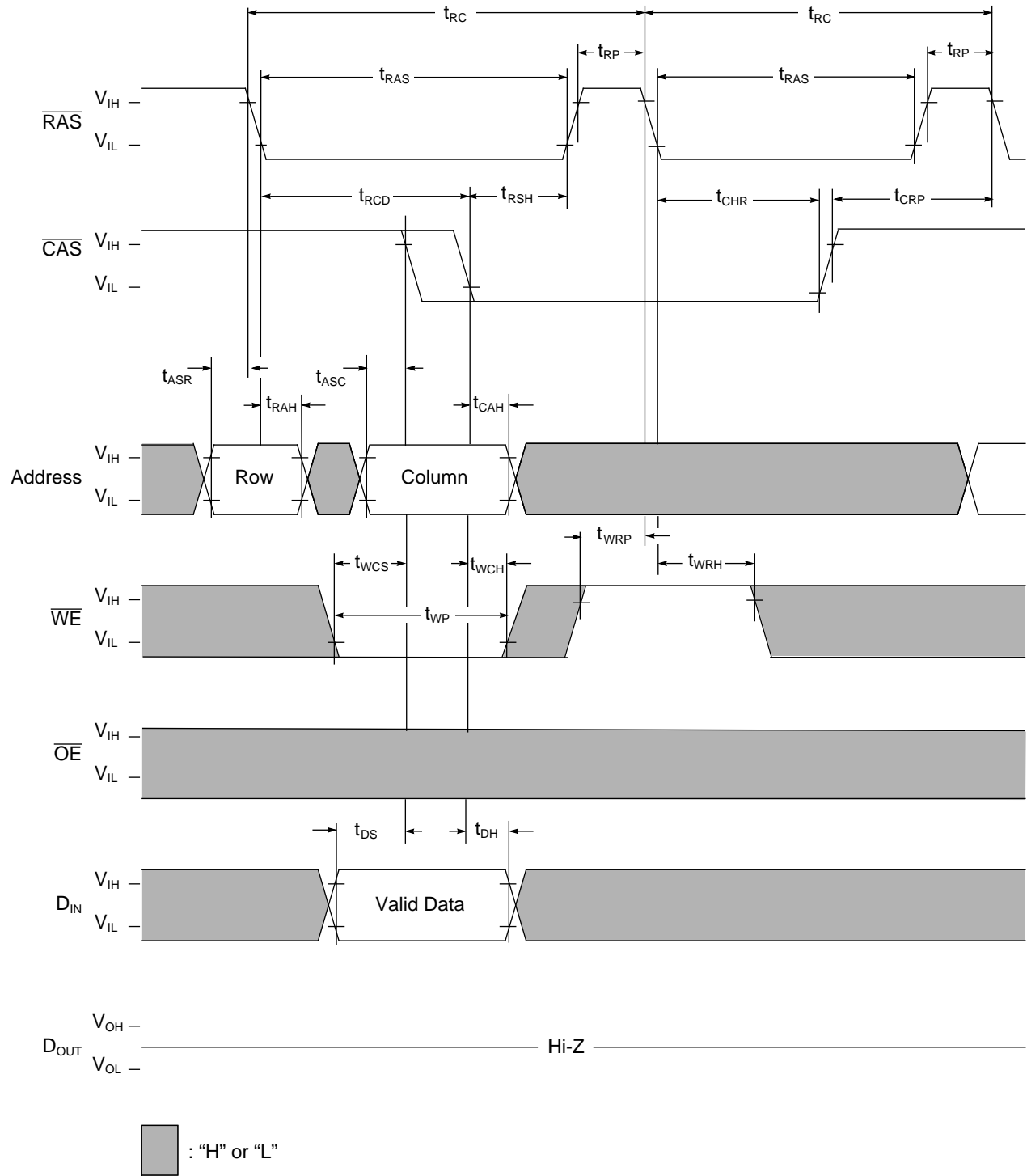
IBM11N8645B IBM11N8735B
 IBM11N8645C IBM11N8735C
 8M x 64/72 DRAM MODULE

Hidden Refresh Cycle (Read)





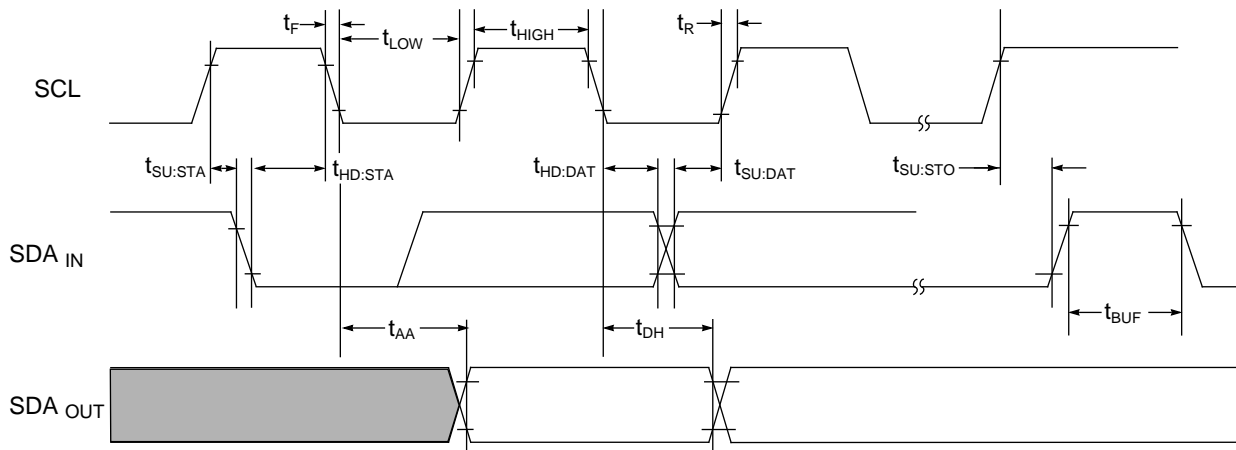
Hidden Refresh Cycle (Write)





IBM11N8645B IBM11N8735B
 IBM11N8645C IBM11N8735C
 8M x 64/72 DRAM MODULE

Presence Detect (EEPROM) Bus Timing



Presence Detect Operation

Clock and Data Conventions: Data states on the SDA line can change only during SCL low. SDA state changes during SCL HIGH are reserved for indicating start and stop conditions (Figure 1 & Figure 2).

Start Condition: All commands are preceded by the start condition, which is a HIGH to LOW transition of SDA when SCL is high. The serial PD device continuously monitors the SDA and SCL lines for the start condition and will not respond to any command until this condition has been met.

Stop Condition: All communications are terminated by a stop condition, which is a LOW to HIGH transition of SDA when SCL is HIGH. The stop condition is also used to place the serial PD device into standby power mode.

Acknowledge: Acknowledge is a software convention used to indicate successful data transfers. The transmitting device, either master or slave, will release the bus after transmitting eight bits. During the ninth clock cycle the receiver will pull the SDA line LOW to acknowledge that it received the eight bits of data (Figure 3). The PD device will always respond with an acknowledge after recognition of a start condition and its slave address. If both the device and a write operation have been selected, The PD device, will respond with an acknowledge after the receipt of each subsequent eight bit word. In the read mode the PD device will transmit eight bits of data, release the SDA line and monitor the line for an

acknowledge. If an acknowledge is detected and no stop condition is generated by the master, the slave will continue to transmit data. If an acknowledge is not detected, the slave will terminate further data transmissions and await the stop condition to return to standby power mode.

Figure 1. Data Window

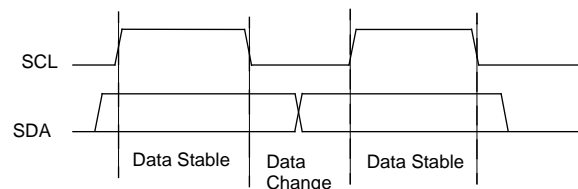


Figure 2. Definition of Start & Stop

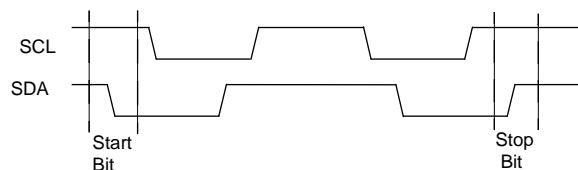
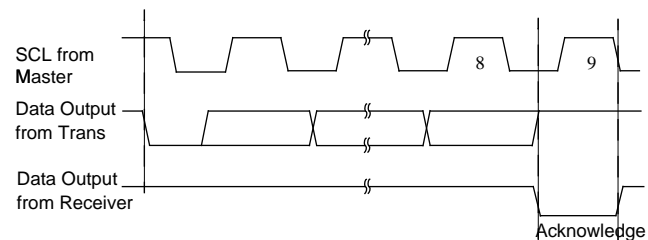
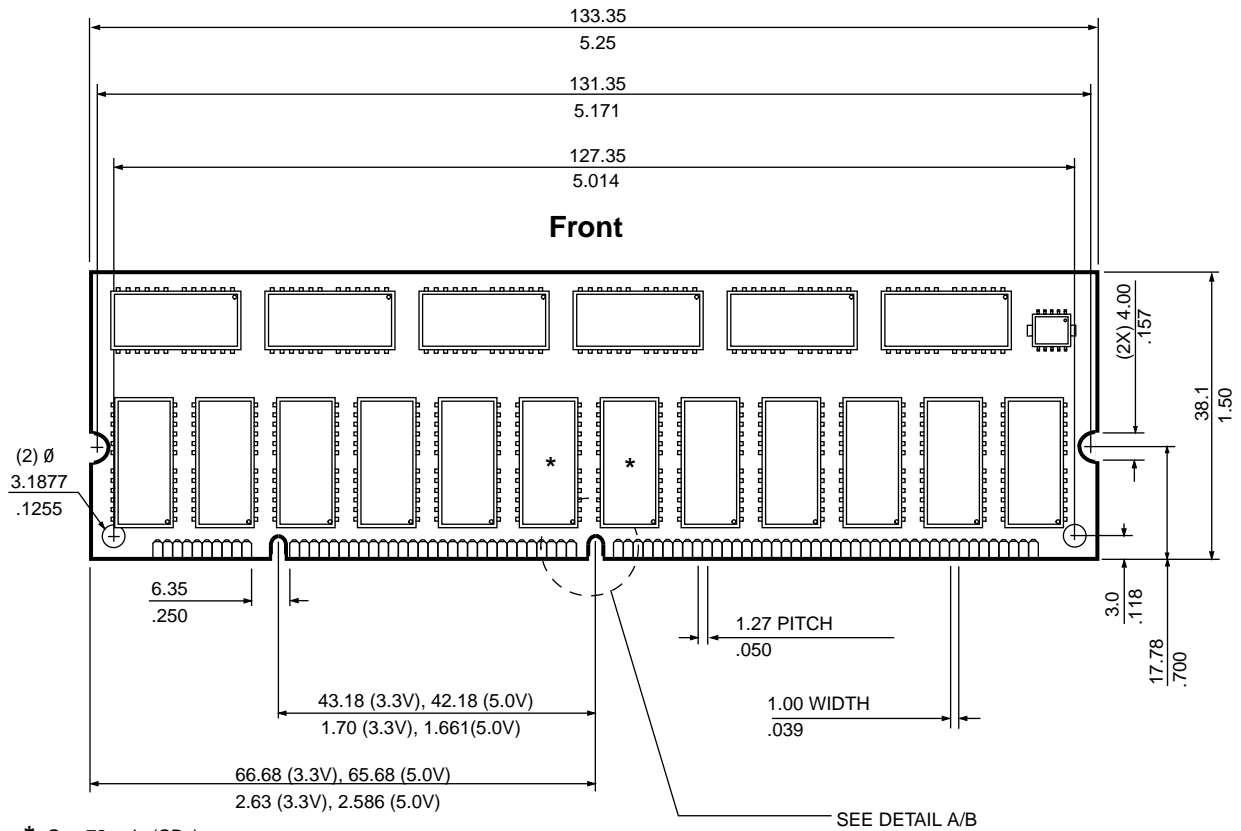


Figure 3. Acknowledge Response From Receiver

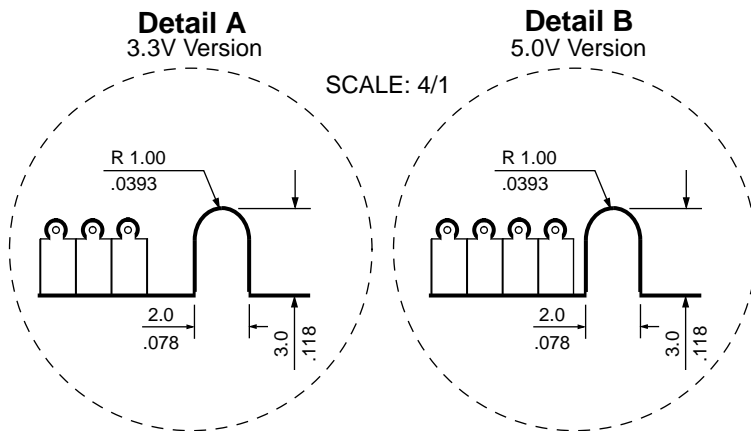
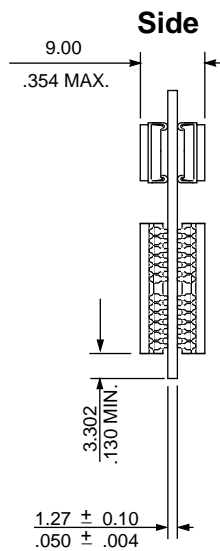




Layout Drawing



* On x72 only (CBx)



Note: All dimensions are typical unless otherwise stated. $\frac{\text{Millimeters}}{\text{Inches}}$



IBM11N8645B IBM11N8735B
IBM11N8645C IBM11N8735C
8M x 64/72 DRAM MODULE

Revision Log

Rev	Contents of Modification
3/96	Initial Release.
5/96	Updated ordering information. Added bytes 13 and 14 to Serial Presence Detect table.
8/96	Fixed typos.
12/96	Added new Serial PD table. Updated ordering information.
3/97	Update Serial Presence Detect table



© International Business Machines Corp.1997

Printed in the United States of America
All rights reserved

IBM and the IBM logo are registered trademarks of the IBM Corporation.

This document may contain preliminary information and is subject to change by IBM without notice. IBM assumes no responsibility or liability for any use of the information contained herein. Nothing in this document shall operate as an express or implied license or indemnity under the intellectual property rights of IBM or third parties. The products described in this document are not intended for use in implantation or other direct life support applications where malfunction may result in direct physical harm or injury to persons. **NO WARRANTIES OF ANY KIND, INCLUDING, BUT NOT LIMITED TO, THE IMPLIED WARRANTIES OF MERCHANTABILITY OR FITNESS FOR A PARTICULAR PURPOSE, ARE OFFERED IN THIS DOCUMENT.**

For more information contact your IBM Microelectronics sales representative or visit us on World Wide Web at <http://www.chips.ibm.com>

IBM Microelectronics manufacturing is ISO 9000 compliant.